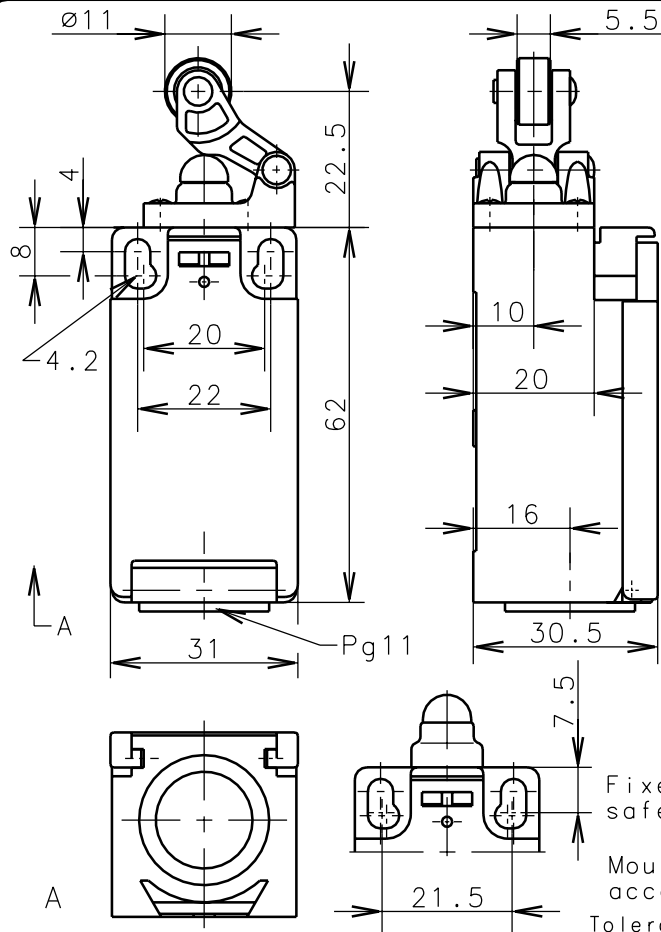


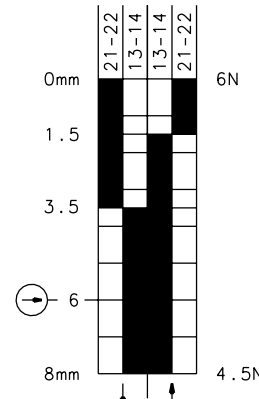
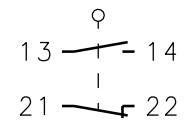
**Bernstein**Bernstein AG  
Postfach 1164  
D-32437 Porta Westfalica**Technical data sheet**

188-SU1Z Hw

608.6171.022

Positive opening  
operation according  
to DIN EN 60947-5-1  
IEC 947-5-1

On Off

Switching  
diagramSwitching  
symbolFixed positioning for  
safety applicationsMounting screw  
accord. to DIN 912 M5Tolerance: operating point  $\pm 0.25\text{mm}$ ; actuating force  $\pm 10\%$ **Mechanical features**

Enclosure: Thermoplast, glass fibre reinforced (UL 94-V0)  
 Cover: Thermoplast, glass fibre reinforced (UL 94-V0)  
 Actuator: Lever with Roller (Thermoplast)

Ambient air temperature:  $-30^\circ\text{C}$  up to  $+80^\circ\text{C}$   
 Contact type: 1 NC-contact, 1 NO-contact (Zb)

Mechanical life:  $10 \times 10^6$  switch operations  
 Switch frequency: max. 100/min

Mounting: 2 x M4  
 Anschlußart: 4 screw connections (M3.5)  
 Kabeleinführung: 1x Pg11  
 Gewicht: ca. 0,07 kg

**Electrical features**

Max. voltage: 500 V AC  
 Max. enduring current: 1 th 10A  
 Max. inrush current: according to IEC 947-5-1; AC 15; DC 13  
 Standards: according to EN 60204; EN 60947-1; EN 60947-5-1  
 Protection class (IP-Code): IP65 according to EN 60529, DIN VDE 0470 T1  
 CSA: 10A 300V AC, A300 (same polarity)  
 Short circuit protection: 10A slow-acting, 16A quick-acting

**Approach possibilities**

By loosening 4 screws it is possible to turn the actuator through  $90^\circ$  so that 4 approach possibilities can be achieved.

**Remarks**

The moving parts should be oiled periodically.  
 The planned protection class (IP-Code) is valid only at closed cover and when using an at least equivalent cable gland.